



Addressable Dual Input / Output Module

I-9303

Description

Intelligent addressable input/output module. A double volt free relay with N/O and N/C change over contacts that can be driven via the fire alarm loop. Commonly used for overriding equipment such as AHU's, Smoke extracts, Lift returns, auto dialer, BMS, etc.

The input can be linked through a volt free contact switch output of ancillary equipment reporting to the fire alarm controller. According to the pre-inputted cause and effects interface programming, the alarm controller sends out a start command to the equipment required to start. After receiving the command, the module activates its relay to change state. Once the equipment under control has operated a confirmation signal can be sent back to the fire alarm controller.

Electronic addressing can be done through Handheld Programming tool (P-9910B), purchased separately.

Features and Benefits

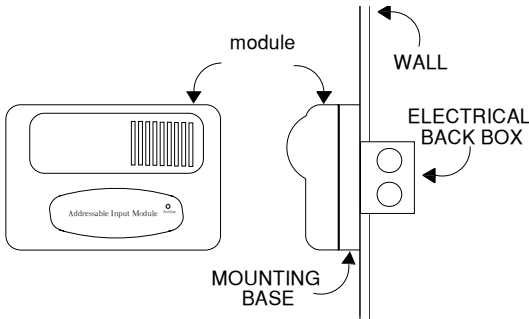
- Addressable Dual I/O with 24Vdc/5A, relay output contacts
- Input can be configured as NO/NC or self confirmation output
- LED status indicator
- Electronically addressable
- Characteristics one input or output
- First fix base for easy and safe installation.

Technical Specifications

- Manufactured Standard: CEA-GE1.080:2000
- Protection rating: IP 30
- Application: Input or Output (Single circuit)
- Input: Dual programmable NO/NC
- Output control mode: Dual- NO/NC passive contacts; 24Vdc
- Output Capacity:
 - Passive: 5A/24Vdc
 - Active: 24Vdc/ 1A
- Operating Current:
 - Loop: Standby=1mA; Alarm=4mA
 - PSU: Standby=4mA; Alarm=15mA
- Operating Voltage:
 - Loop: 24V (16V~28V)
 - PSU: 24VDC (20VDC~28VDC)
- Operating temp: -10°C to +50°C
- Relative humidity: 95%
- Addressing: 1 to 242 using P-9910B
- Application: Indoor use
- Visual Indicator: LED, steady red when in alarm state, 3 sec interval blinking at normal state; Yellow (fault)
- Material and colour: ABS, off-white
- Wiring: 8 wires: 2 wire for loop (non-polarized) ; 2 wire for power cable(non-polarized) ; 2 wire for contact
- Dimensions: 120mmx80mmx39mm

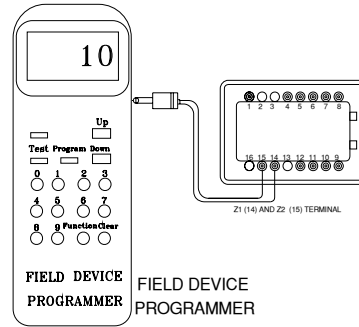
Mounting Isolator Base

The module should be installed in compliance with all local codes, BS5389, and EN45. It is installed onto a standard one gang electrical box with a mounting hole that have 6.5cm spacing.



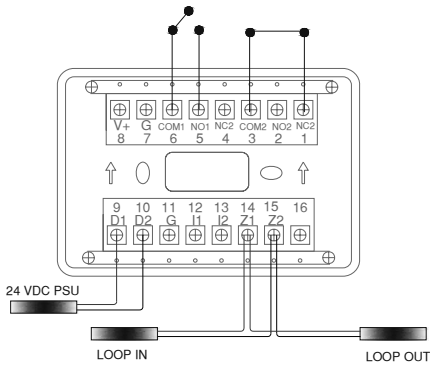
Programming

The address and device parameter of the module can be programmed using GST handheld programmer (P-9910B), purchased separately. Connect the two wires of the handheld programmer to Z1 (14), Z2 (15) terminals of the module.

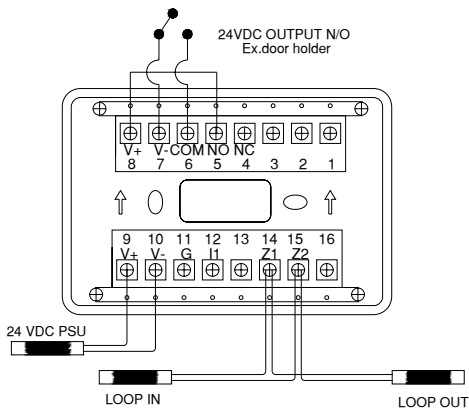


Wiring and Connection

Connect the wires to the required terminal according to the wiring diagram. The Z1, Z2 connect to addressable fire detection loop, non-polarized, the D1, D2 is for 24VDC power supply, non-polarized, the I1 and G connect with passive NO contact of the control device, NC1, COM1, NO1 is for first Output Circuit. The NC2, COM2, NO2 is for the second output terminals+ and G is continual 24Vdc output for D1, D2 for active control rated at 1A The cable must be fire rated type and the size depends on the distance and application. Minimum size gauge 1.0mm²(18 AWG)



Wiring for relay contact (NO/NC)



Wiring for 24VDC output

Selection of compatible Control Panels

Compatible with all GST Intelligent Fire Alarm Panels GST200-2, GST5000, GSTIFP8.

Ordering Information



Part Number: I-9303
Description: Intelligent Dual I/O Module
Weight / Kg.: 0.198
Pack Qty. per Box: 80

Accessories

Part Number: B-9310
Description: Surface Mount Box

MANUFACTURED IN ACCORDANCE WITH

